

## DWDM SYSTEM SIMULATION SOFTWARE

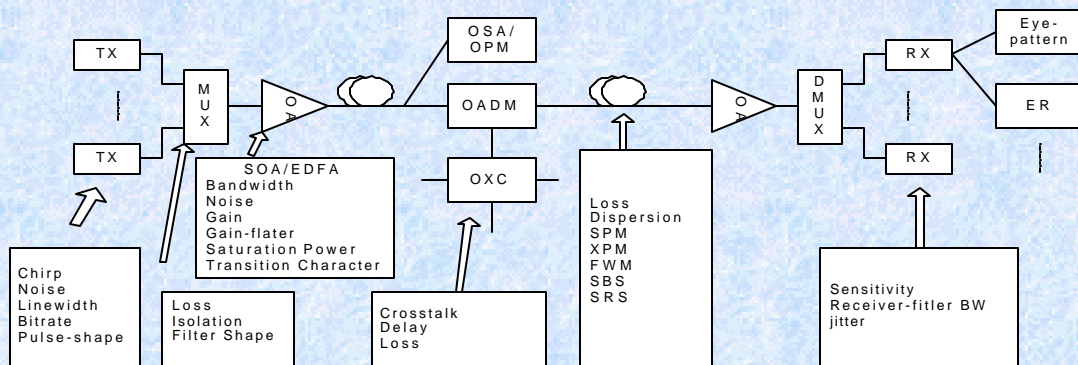
### I. Function:

Simulation & Optimization of DWDM line and Networks

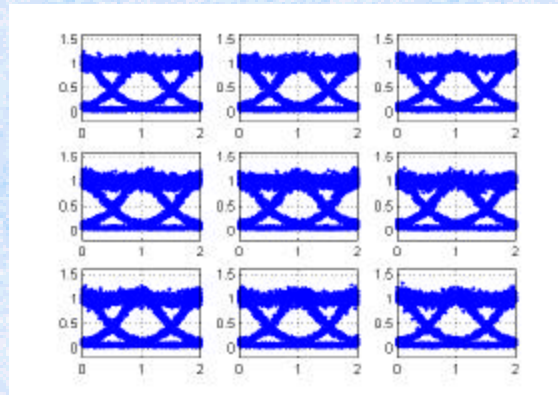
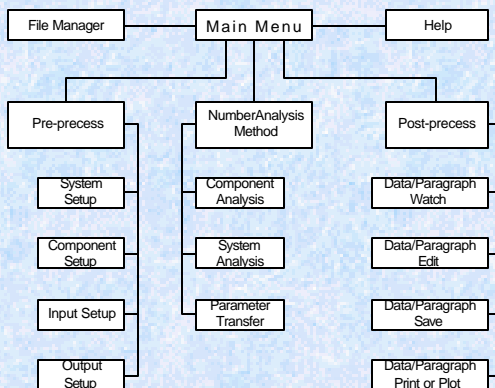
Simulation & Optimization of Optical Components, such as EDFA

DWDM networks plan and deploy

### II. Key Components and Physics Effects Included:



### III. Software Architecture & Simulation Results



Investigators: Assoc. Prof. Lu Chao, Phone: 7904765, Email: eclu@ntu.edu.sg

Dr. Wang Yixin, Phone: 7905363, Email: eyxwang@ntu.edu.sg