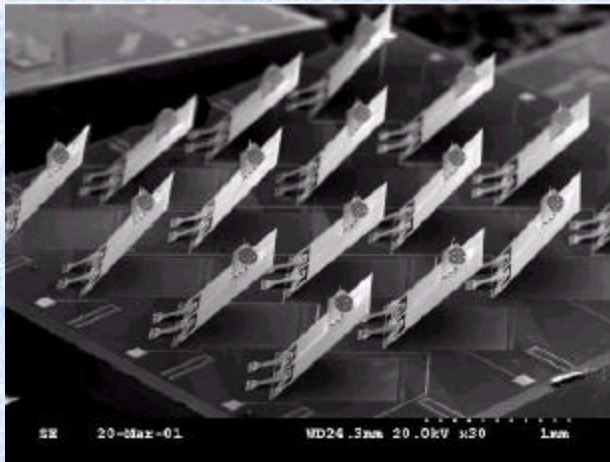
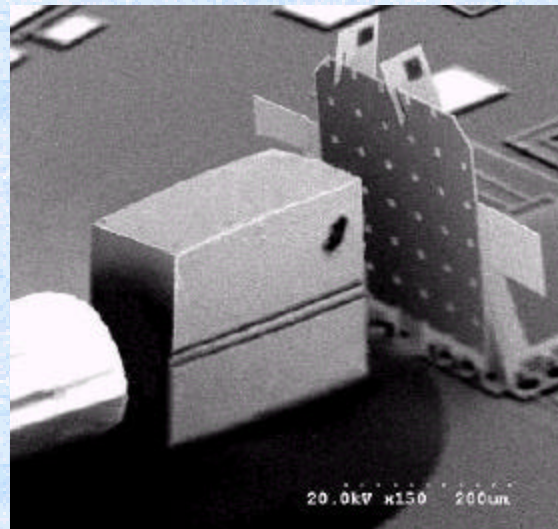


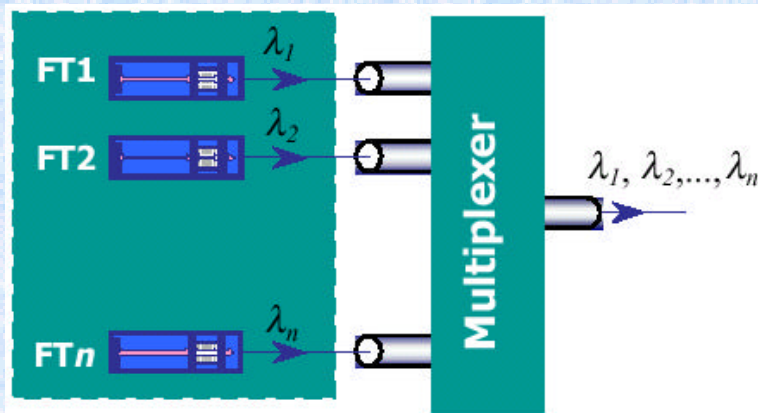
Optical MEMS using Surface Polysilicon Process and their Use in Novel Optical Communication Applications



Use of MEMS in Optical Crossconnect



Use of MEMS in tunable laser



Use of MEMS in programmable multiwavelength light source